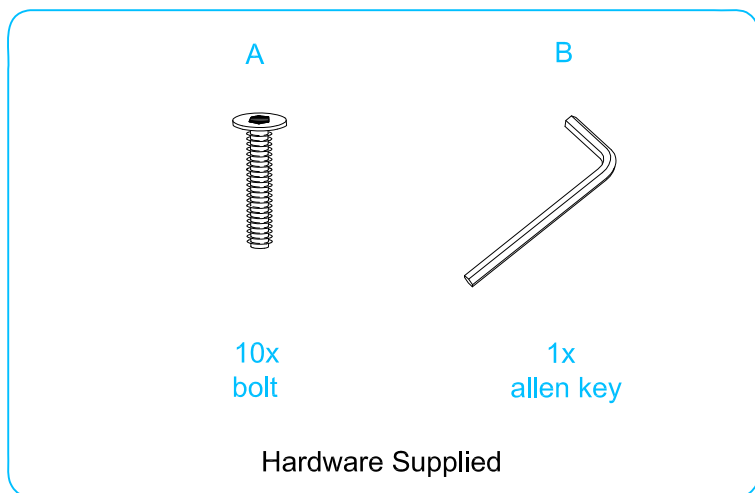


Annie Kids Chair

Assembly Instructions

Thank you for your purchase.
Please follow the instructions below for correct assembly.



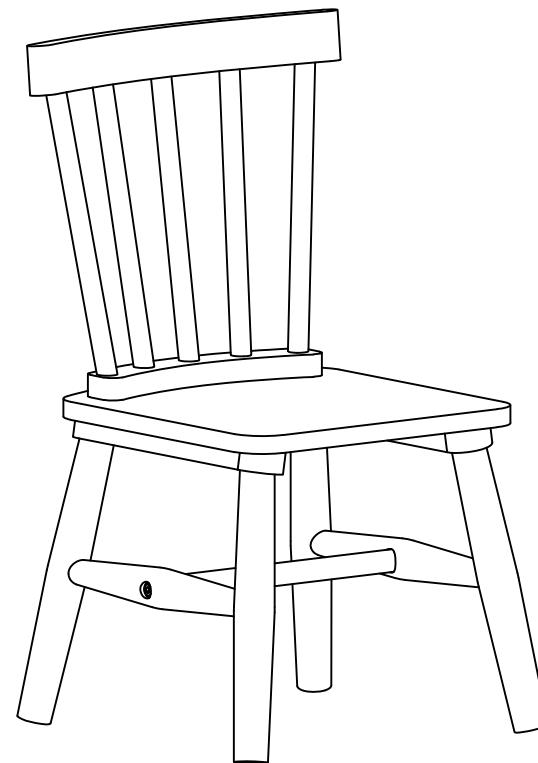
WARNING

Not suitable for children under 3 years of age.
Suitable for children aged 3 to 6 years.

Once fully assembled please ensure all legs are sitting flush against the chair underside to ensure stability. Do not over-tighten bolts.

To ensure longevity of the wood please use a damp cloth only for cleaning. Avoid use of household cleaners.

mocka

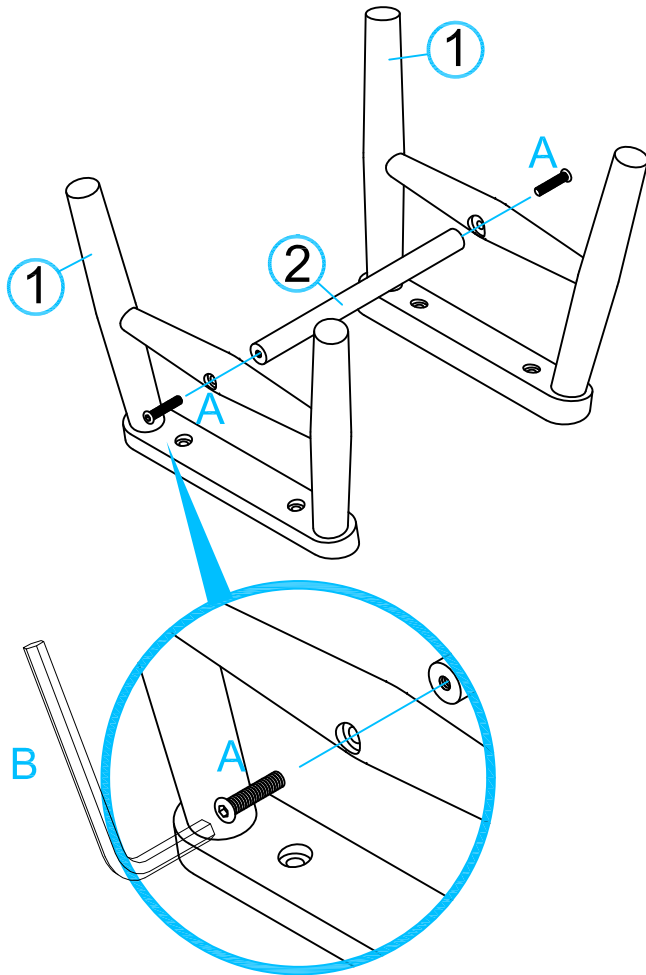


Annie Kids Chair

Assembly Instructions

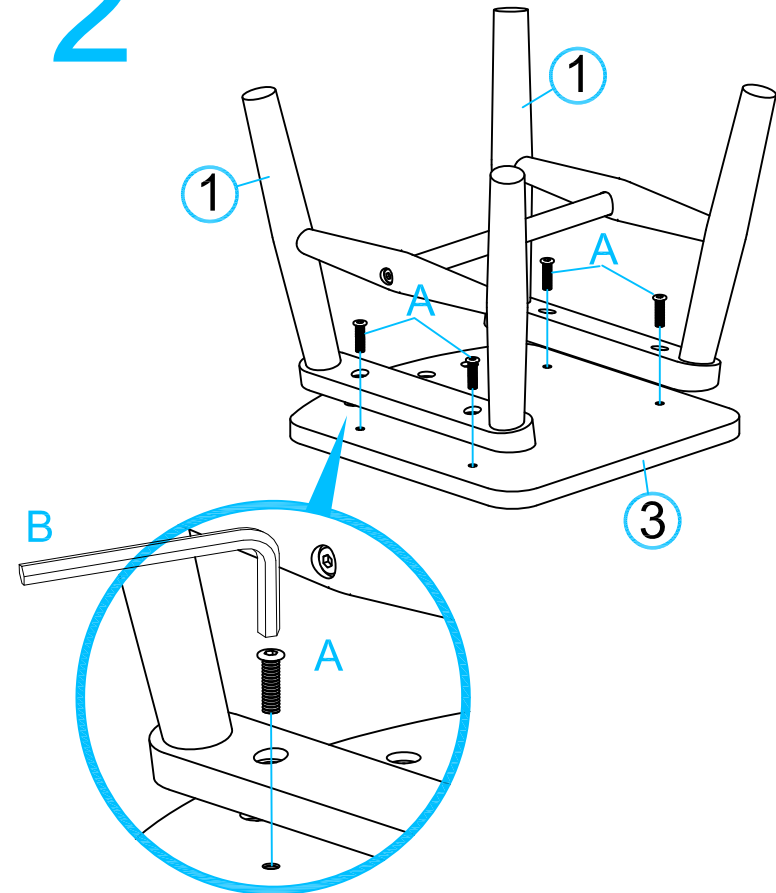
mocka

1



Attach connecting rod [2] to 2x panel [1] with 2x bolts (A). Screw all bolts with allen key (B) but do not tighten.

2

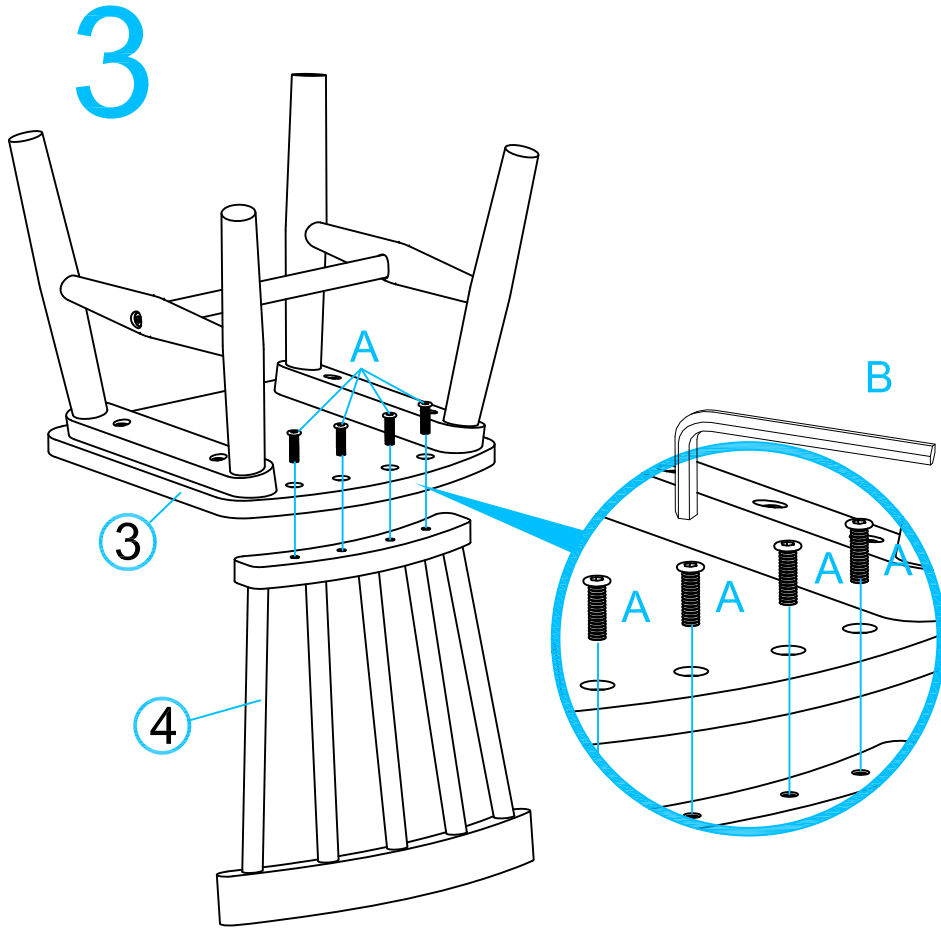


Attach 2x panel [1] to panel [3] with 4x bolts (A). Tighten all bolts with allen key (B).

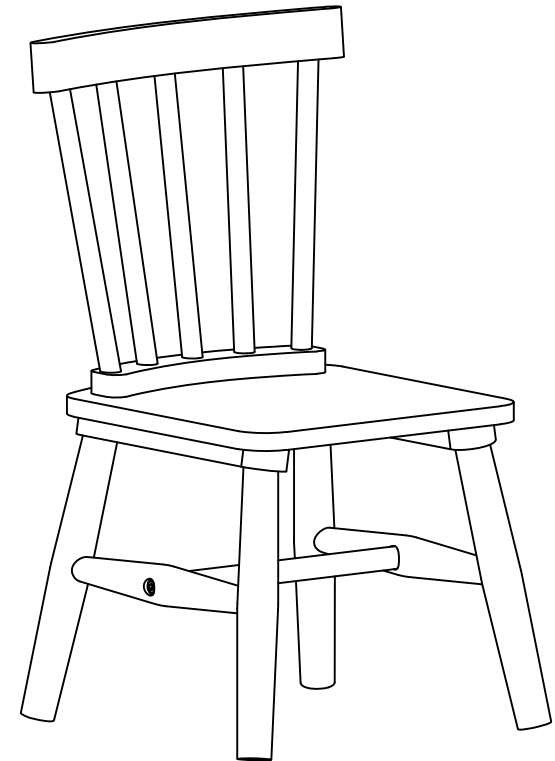
Annie Kids Chair

Assembly Instructions

mocka



4



Attach panel [3] to panel [4] with 4x bolts (A).
Tighten all bolts with allen key (B).

You're done, enjoy!